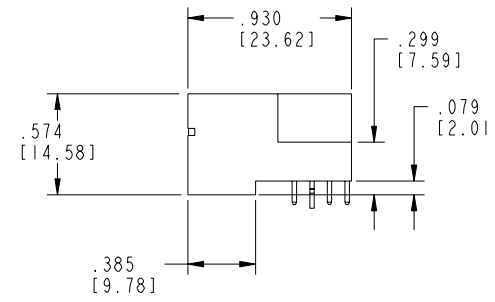
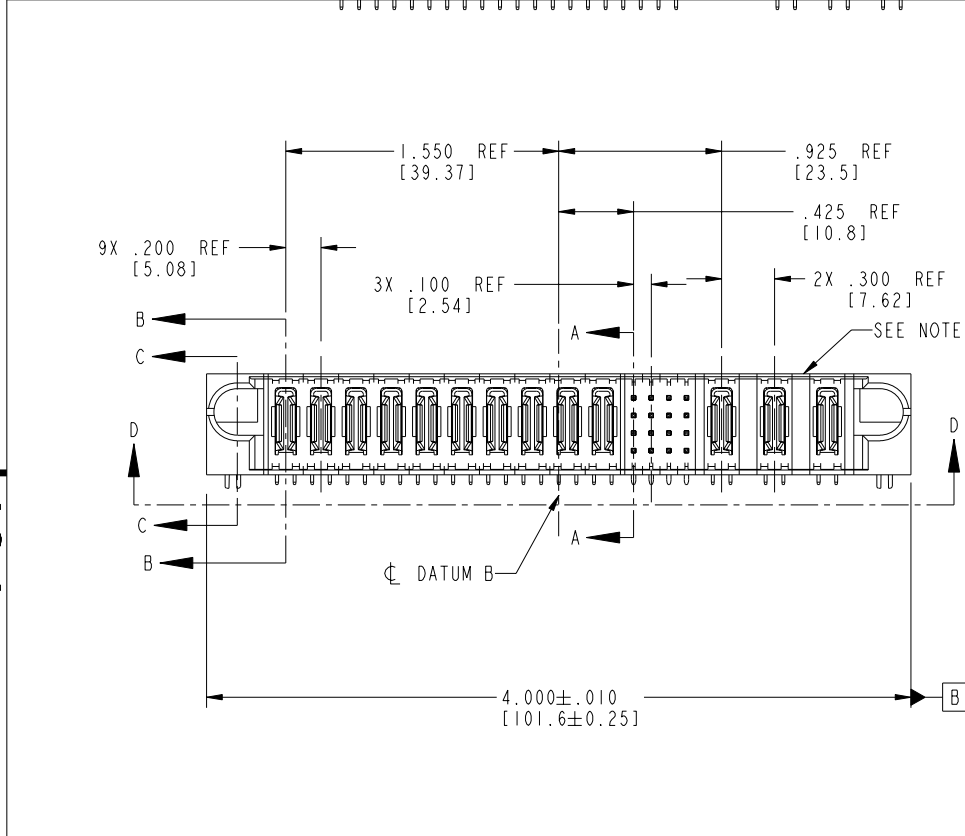
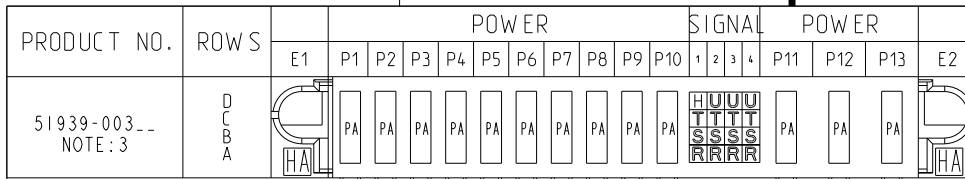


Tous droits strictement réservés. Reproduction ou communication à des tiers interdite sous quelque forme que ce soit sans autorisation écrite du propriétaire. Propriété de c FCI. Droits de reproduction FCI.

All rights strictly reserved. Reproduction or issue to third parties in any form whatever is not permitted without written authority from the proprietor. Property of FCI. Copyright FCI.



CODE	DIM "M" MATING LENGTH	CONTACT TYPE
H	.220 [5.59]	SIGNAL
R	.270 [6.86]	SIGNAL
S	.270 [6.86]	SIGNAL
T	.270 [6.86]	SIGNAL
U	.270 [6.86]	SIGNAL
PA	N/A [N/A]	POWER
HA	N/A [N/A]	HOLD-DOWN

mat'l code				SEE NOTE 2		tolerances unless otherwise specified		CUSTOMER	
ltr	ecn no.	dr	date	linear	angles	dr	enr	chr	appd
A	V12519	JWS	11/1/01	.XX±.01/0.X±0.3	0°±2°	J. SHAFFER	E. TREECE	E. TREECE	E. TREECE
B	DG05-0417	CS	10/25/05	.XXX±.005/0.XX±0.13					
				.XXXX±.0020/0.XXX±0.051					

projection		title	
		10P + 16S + 3ACP	RIGHT ANGLE SOLDER HEADER
product family	PwrBlade	code	213
size	dwg no	sheet	1 of 4
A	51939-003		

sheet index	revision	B	B	B	B
	sheet	1	2	3	4

cage code	22526	4
-----------	-------	---

PDM: Rev:B

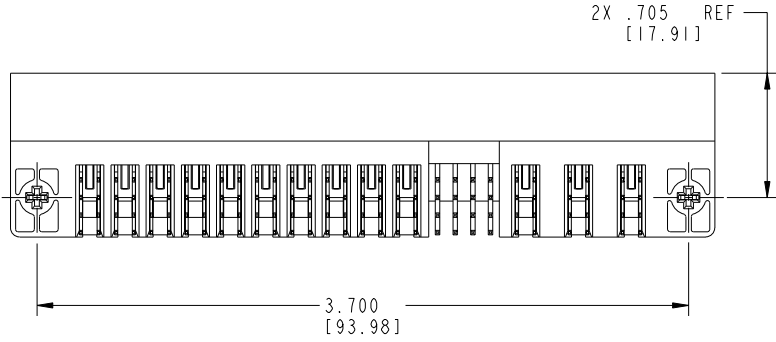
STATUS:Released

Printed: Aug 15, 2007

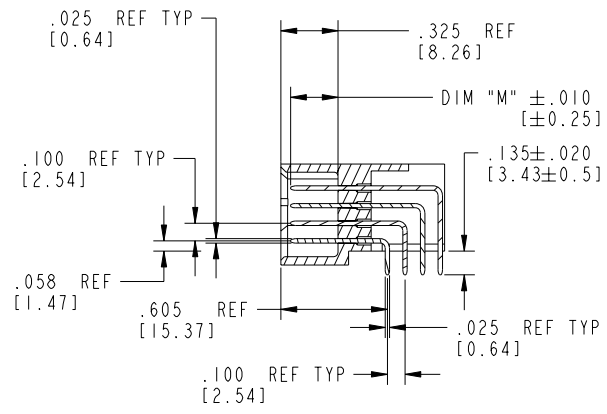
Tous droits strictement réservés. Reproduction ou communication a des tiers interdite sous quelque forme que ce soit sans autorisation écrite du propriétaire. Propriété de c FCI. Droits de reproduction FCI.

All rights strictly reserved. Reproduction or issue to third parties in any form whatever is not permitted without written authority from the proprietor. Property of FCI. Copyright FCI.

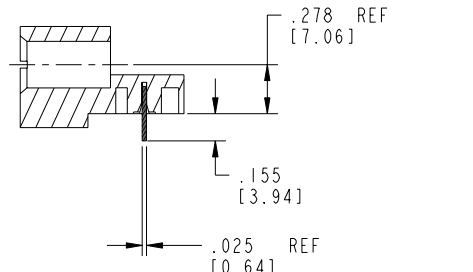
PRODUCT NUMBER  
51939-003\_  
NOTE: 3



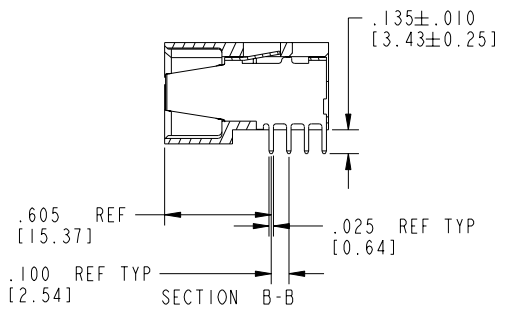
SECTION D-D



SECTION A-A



SECTION C-C



SECTION B-B

mat'l code		SEE NOTE 2		tolerances unless otherwise specified		CUSTOMER		 www.fciconnect.com	
ltr	ecn no.	dr	date	linear	.XX±.01/0.XX±0.3	projection		title 10P + 16S + 3ACP RIGHT ANGLE SOLDER HEADER	
B				angles	.XXX±.005/0.XX±0.13			product family	PwrBlade
				dr	.XXX±.0020/0.XXX±0.051		scale	size	dwg no
				enr	0°±2°	1:1	A	51939-003	code
				chr	J. SHAFFER 11/1/01				213
				appd	E. TREECE 11/1/01				sheet
					E. TREECE 11/1/01				2 of 4
sheet index	revision sheet								

cage code 22526

Pro/E

PDM: Rev:B

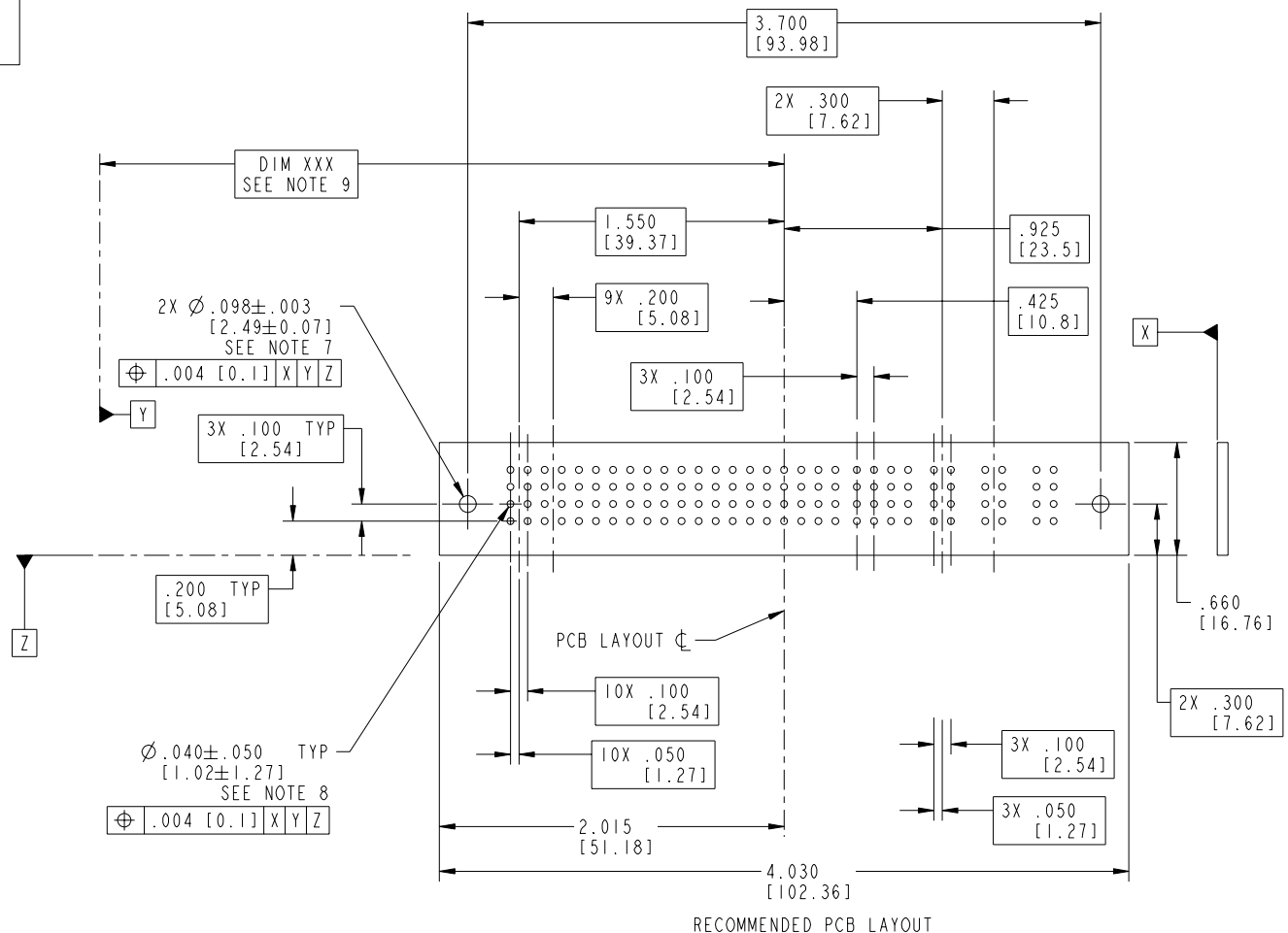
STATUS:Released

Printed: Aug 15, 2007

Tous droits strictement réservés. Reproduction ou communication a des tiers interdite sous quelque forme que ce soit sans autorisation écrite du propriétaire. Propriété de c FCI. Droits de reproduction FCI.

All rights strictly reserved. Reproduction or issue to third parties in any form whatever is not permitted without written authority from the proprietor. Property of FCI. Copyright FCI.

PRODUCT NUMBER  
51939-003\_  
NOTE: 3



RECOMMENDED PCB LAYOUT

mat'l code				SEE NOTE 2		tolerances unless otherwise specified		CUSTOMER		 www.fciconnect.com	
ltr	ecn no.	dr	date	linear	.XX±.01/0.X±0.3	COPY		projection		title	
B					.XXX±.005/0.XX±0.13					10P + 16S + 3ACP RIGHT ANGLE SOLDER HEADER	
				angles	.XXX±.0020/0.XXX±0.051					product family	
				dr	0°±2°	J. SHAFFER 11/1/01				PwrBlade	
				engr		E. TREECE 11/1/01		size		code	
				chr		E. TREECE 11/1/01		A		213	
				appd		E. TREECE 11/1/01		51939-003		sheet	
sheet index	revision sheet							scale		3 of 4	

cage code 22526

Pro/E

PDM: Rev:B

STATUS: Released

Printed: Aug 15, 2007

Tous droits strictement réservés. Reproduction ou communication à des tiers interdite sous quelque forme que ce soit sans autorisation écrite du propriétaire. Propriété de c FCI. Droits de reproduction FCI.

**FCI**

All rights strictly reserved. Reproduction or issue to third parties in any form whatever is not permitted without written authority from the proprietor. Property of FCI. Copyright FCI.

PRODUCT NUMBER  
51939-003\_-  
NOTE: 3

NOTES:

1. DIMENSIONS AND TOLERANCES ARE IN ACCORDANCE WITH ASME Y14.5M, 1994 UNLESS OTHERWISE SPECIFIED.

CONNECTORS NOTES:

② HOUSING MATERIAL: UL 94 V-0 GLASS FILLED HIGH TEMP THERMO PLASTIC  
POWER CONTACT MATERIAL: COPPER ALLOY  
SIGNAL PIN MATERIAL: COPPER ALLOY

③ PLATING:

51939-003 Singal Pin:30u"/0.76um Au OVER 50u"/1.27um Ni ON THE CONTACT AREA.  
AND 100u"/2.54um SnPb PLATING OVER 50u"/1.27um Ni ON THE TERMINATION SECTION.  
Power Pin:30u"/0.76um Au OVER 50u"/1.27um Ni ON THE CONTACT AREA,  
AND 100u"/2.54um SnPb PLATING OVER 50u"/1.27um Ni ON THE TERMINATION SECTION.

51939-003LF Singal Pin:30u"/0.76um Au OVER 50u"/1.27um Ni ON THE CONTACT AREA.  
AND 78u"/2.00um Sn PLATING OVER 50u"/1.27um Ni ON THE TERMINATION SECTION.  
Power Pin:30u"/0.76um Au OVER 50u"/1.27um Ni ON THE CONTACT AREA,  
AND 78u"/2.00um Sn PLATING OVER 50u"/1.27um Ni ON THE TERMINATION SECTION.

PART NUMBER 51939-003LF MEETS EUROPEAN UNION DIRECTIVE AND OTHER COUNTRY REGULATIONS AS DESCRIBED IN GS-22-008.

THE HOUSING WILL WITHSTAND EXPOSURE TO 260° PEAK TEMPERATURE FOR 10 SECONDS IN A WAVE SOLDER APPLICATION WITH A CIRCUIT BOARD.

④ "MANUFACTURER" NAME, P/N, AND DATE CODE TO APPEAR ON THIS SURFACE.

⑤ PRODUCT SPECIFICATION GS-12-149.

PCB - NOTES:

⑥ ALL HOLE DIAMETERS ARE FINISHED HOLE SIZE.

7. HOLD DOWN THROUGH HOLES ARE UNPLATED.

8.  $\varnothing .0453 \pm 0.0010$  [1.151  $\pm$  0.025] DRILLED HOLES PLATED WITH 0.0003 [0.008] MIN SnPb OVER .001 [0.03] TO .003 [0.08] Cu PLATING TO ACHIEVE  $\varnothing .040 \pm .003$  [1.02  $\pm$  .07] HOLE.

9. "DIM XXX" TO BE DETERMINED BY THE CUSTOMER.

mat'l code				SEE NOTE 2		tolerances unless otherwise specified		CUSTOMER		<b>FCI</b> www.fciconnect.com	
ltr	ecn no.	dr	date	linear	.XX+ .01/0.X+0.3	COPY		projection		title 10P + 16S + 3ACP RIGHT ANGLE SOLDER HEADER	
B				angles	.XXX+ .005/0.XX+0.13					product family PwrBlade code 213	
				dr	.XXXX+ .0020/0.XXX+0.051					size dwg no 51939-003 sheet 4 of 4	
				enr	0° ± 2°			scale 1:1			
				chr	J. SHAFFER 11/1/01						
				appd	E. TREECE 11/1/01						
					E. TREECE 11/1/01						
sheet index	revision sheet										

cage code 22526 4